



OFFICE REALITY LTD

Valde Illuminated Reception Desks



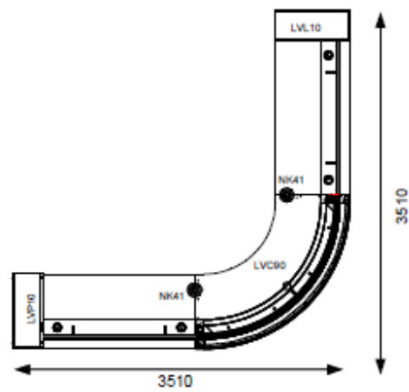
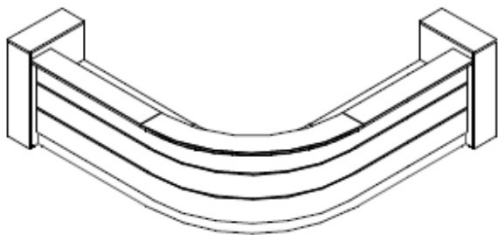
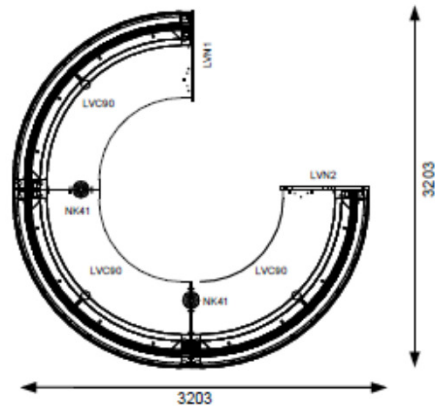
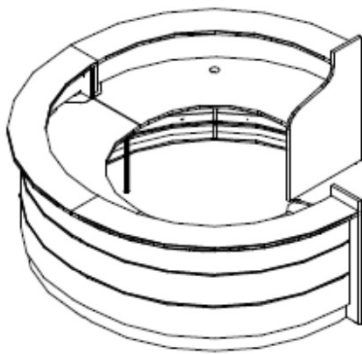
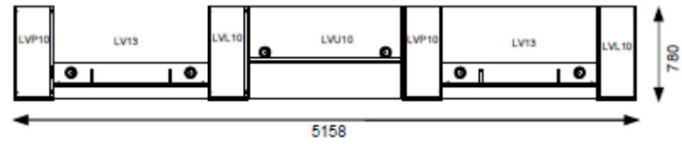
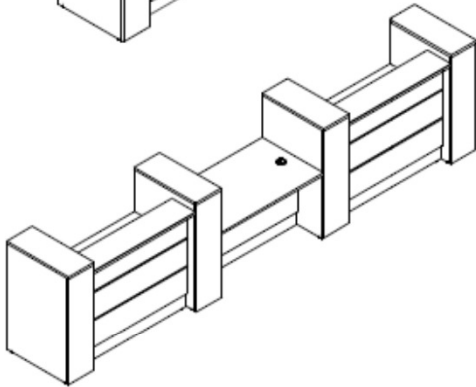
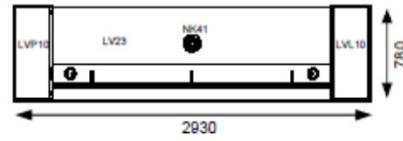
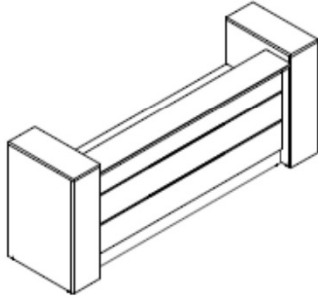
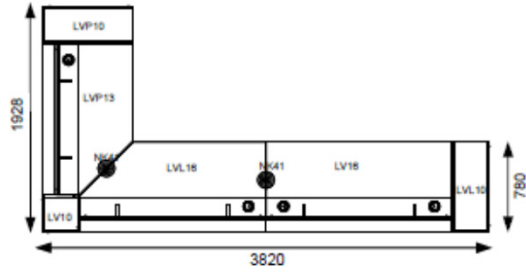
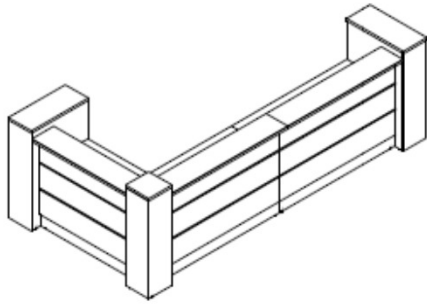
Contact us on 01823 663880 or email us at info@officereality.co.uk

Affordable expertise @ www.officereality.co.uk





POSSIBLE CONFIGURATIONS



TECHNICAL SPECIFICATION / TECHNISCHE BESCHREIBUNG / DESCRIPTION TECHNIQUE

**Counter top
Oberplatte
Top**

MFC + glass: LACOBEL / Melaminplatte + Glas: LACOBEL /
Panneau mélaminé + verre: LACOBEL
28mm+4mm

**Worktop
Arbeitsplatte
Plan de travail**

MFC / Melaminplatte /
Panneau mélaminé
28mm

**Illumination
Beleuchtung
Illumination**

Optional LED lighting - White
LED-Beleuchtung (optional) - Weiß
Illumination LED en option - Blanc

**Decorative strips
Dekorative Leisten
Filets decoratifs**

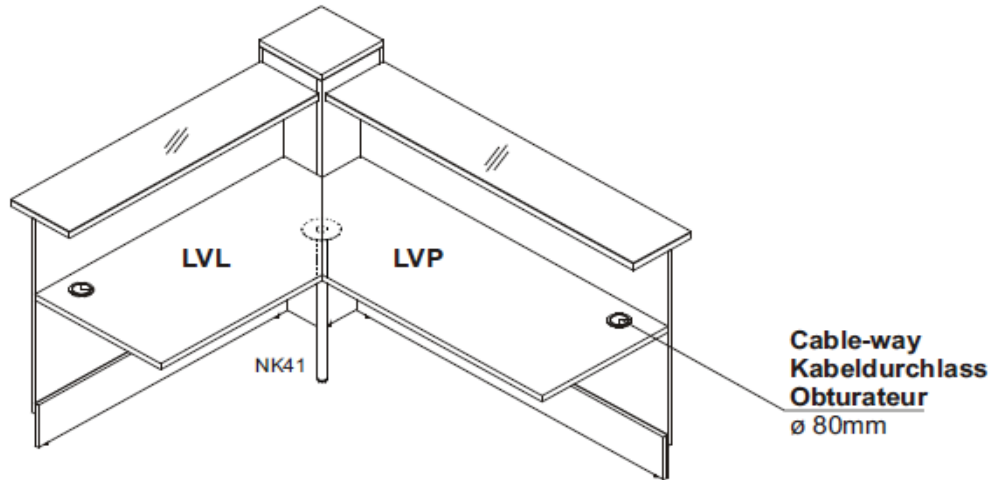
PVC

Front

HPL

**Kick plate
Sockel
Socle**

- HPL-Brushed aluminium
- HPL-Aluminium gebürstet
- Stratifié-Aluminium brosse



**Side panel
Endungselement
Element de finition de
la rehausse**

MFC / Melaminplatte / Panneau mélaminé
28mm

**Side panel
Wangenfuß
Pied latéral**

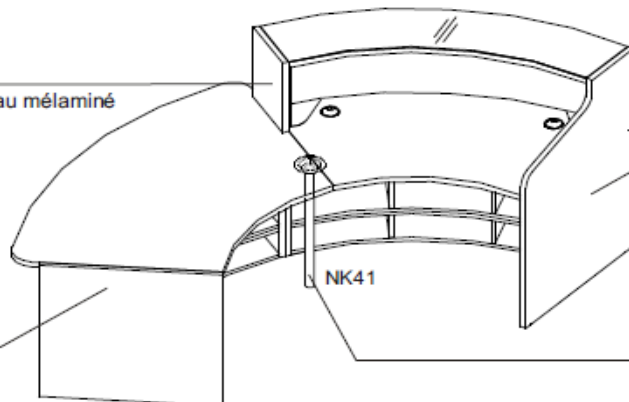
MFC / Melaminplatte /
Panneau mélaminé
28mm

**Panel end
Wangenfuß niedrig
Pied**




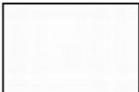


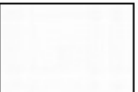






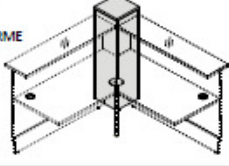
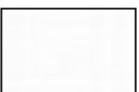
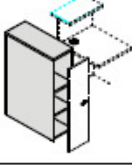
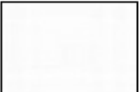
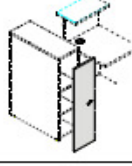
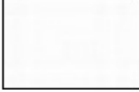
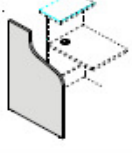
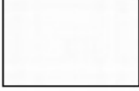
MFC / Melaminplatte /
Panneau mélaminé
28mm

**Supporting leg
Stützfuß
Pied de support**

NK41 required on all connections of receptions
NK41 Den Fuß zusätzlich zur Verbindung der
Thekenelemente bestellen
NK41 nécessaire sur la connexion des banques

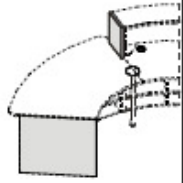


FINISHES / FARBEN / FINITIONS

<p>GLASS TOP GLASPLATTE TOP EN VERRE</p> 	 <p>GLASS LACOBEL, WHITE GLAS LACOBEL WEIß VERRE LAQUE LACOBEL, BLANC</p>			
<p>BODY KORPS CORPS</p> 	 <p>67 - WHITE PASTEL WEIß PASTELL BLANC PASTEL</p>			
<p>FRONT HPL FRONT HPL FRONT STRATIFIE</p> 	 <p>72 - HIGH GLOSS LIME GRÜN GLANZ VERT BRILLANT</p>	 <p>73 - HIGH GLOSS WHITE WEIß GLANZ BLANC BRILLANT</p>	 <p>74 - HIGH GLOSS ORANGE ORANGE GLANZ ORANGE BRILLANT</p>	 <p>82 - HIGH GLOSS RED ROT GLANZ ROUGE BRILLANT</p>
<p>DECORATIVE STRIPS DEKORATIVE LEISTEN FILETS DECORATIFS</p> 	 <p>09 - ALUMINIUM ALUMINIUM ALUMINIUM</p>			
<p>KICK PLATE SOCKEL SOCLE</p> 	 <p>BRUSHED ALUMINIUM HPL-ALUMINIUM GEBÜRSTET ALUMINIUM BROSSÉ</p>			
<p>CORNER UNIT WÜRFELFUß MONOBLOC FERME</p> 	 <p>67 - WHITE PASTEL WEIß PASTELL BLANC PASTEL</p>			
<p>END UNIT WITH CUPBOARD SEITENSCHRANK MONOBLOC A ETAGERES</p> 	 <p>67 - WHITE PASTEL WEIß PASTELL BLANC PASTEL</p>			
<p>DOOR FOR LVP10, LVL10 TÜR LVP10, LVL10 PORTE POUR LVP10, LVL10</p> 	 <p>67 - WHITE PASTEL WEIß PASTELL BLANC PASTEL</p>			
<p>SIDE PANEL FOR HIGH UNITS WANGENFUß PANNEAU LATERAL</p> 	 <p>67 - WHITE PASTEL WEIß PASTELL BLANC PASTEL</p>			

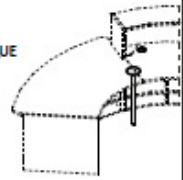
FINISHES / FARBEN / FINITIONS

SIDE PANELS
ENDUNGSELEMENTS
PANNEAU LATÉRAUX



67 - WHITE PASTEL
WEIß PASTELL
BLANC PASTEL

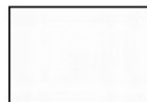
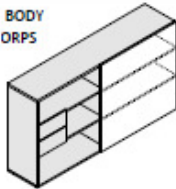
SUPPORTING LEG
STÜTZFUß
PIED DE SUPPORT LA BANQUE



09 - ALUMINIUM
ALUMINIUM
ALUMINIUM

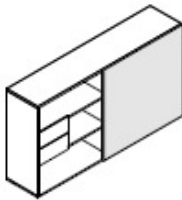
FINISHES / FARBEN / FINITIONS - ZS02

COUNTER TOP AND BODY
OBERPLATTE UND KORPS
TOP ET CORPS

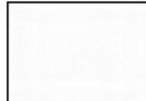


67 - WHITE PASTEL
WEIß PASTELL
BLANC PASTEL

FRONT HPL
FRONT HPL
FRONT STRATIFIE



72 - HIGH GLOSS LIME
GRÜN GLANZ
VERT BRILLANT



73 - HIGH GLOSS WHITE
WEIß GLANZ
BLANC BRILLANT

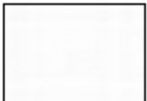
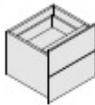


74 - HIGH GLOSS ORANGE
ORANGE GLANZ
ORANGE BRILLANT



82 - HIGH GLOSS RED
ROT GLANZ
ROUGE BRILLANT

DRAWER FOR ZS02, ZS03
SCHUBLADEN ZUM ZS02, ZS03
TIROIR POUR ZS02, ZS03



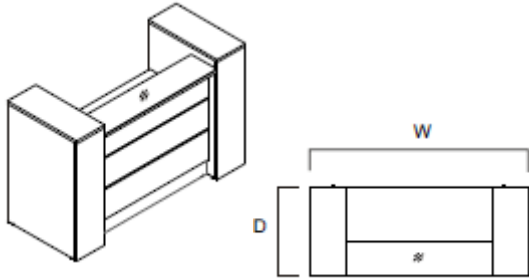
67 - WHITE PASTEL
WEIß PASTELL
BLANC PASTEL

FINISHES / FARBEN / FINITIONS - SLK12, SLK13

PEDESTALS
CONTAINER
CAISSONS



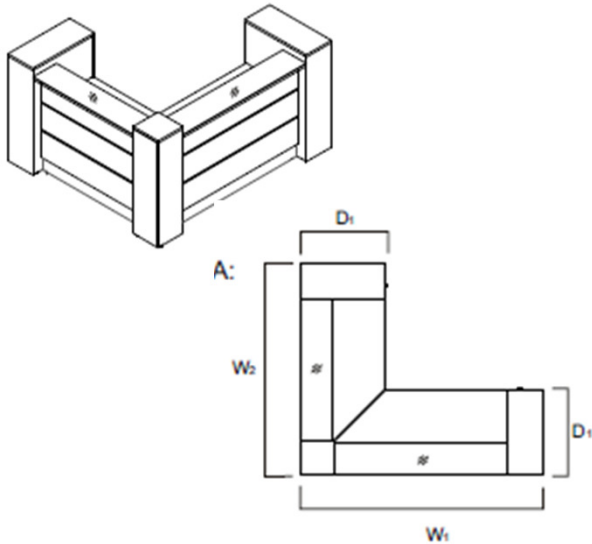
67 - WHITE PASTEL
WEIß PASTELL
BLANC PASTEL



LVC01 1930 w 780 d 1200h @ £2112.00
 As above with illumination @ £2412.00

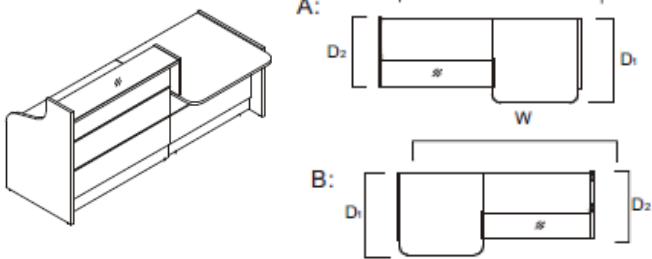
LVC02 2230w 780d 1200h @ £2352.00
 As above with illumination @ £2676.00

LVC03 2930w 780d 1200h @ £2952.00
 As above with illumination @ £3312.00

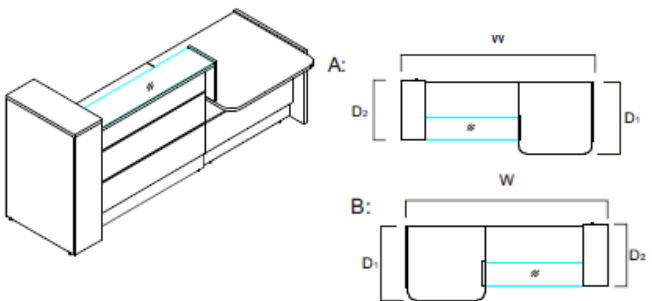


LVC10 1930w x 1930w x 780d x 1200h @ £3646.00
 As above with illumination @ £4246.00
 LVC11 1930w x 2230w x 780d x 1200h @ £3886.00
 As above with illumination @ £4509.00
 LVC12 1930w x 2930w x 780d x 1200h @ £4486.00
 As above with illumination @ £5146.00
 LVC13 2230w x 1930w x 780d x 1200h @ £3886.00
 As above with illumination @ £4509.00
 LVC14 2230w x 2230w x 780d x 1200h @ £4126.00
 As above with illumination @ £4774.00

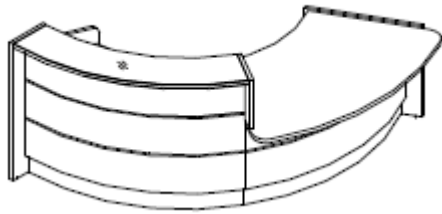
LVC15 2230w x 2930d x 780d x 1200h @ £4725.00
 As above with illumination @ £5410.00
 LVC16 2930w x 1930w x 780d x 1200h @ £4486.00
 As above with illumination @ £5146.00
 LVC17 2930w x 2230d x 780d x 1200h @ £4725.00
 As above with illumination @ £5410.00
 LVC18 2930w x 2930w x 780d x 1200h @ £5326.00
 As above with illumination @ £6046.00



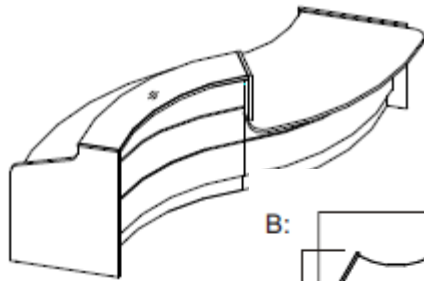
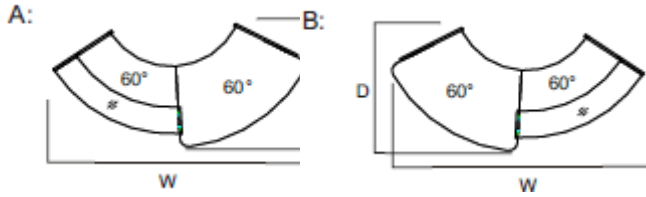
LVC19 2346w x 960/801d x 1105h @ £2770.00
 As above with illumination @ £3189.00
 LVC21 2616w x 868/801d x 1105h @ £3010.00
 As above with illumination @ £3454.00
 LVC23 3346w x 868/801d x 1105h @ £3609.00
 AS above with illumination @ £4089.00



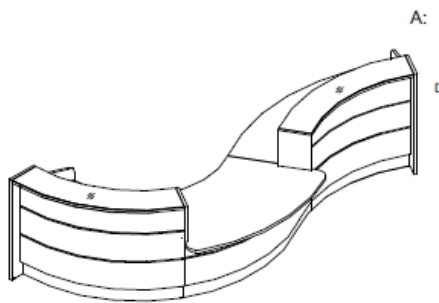
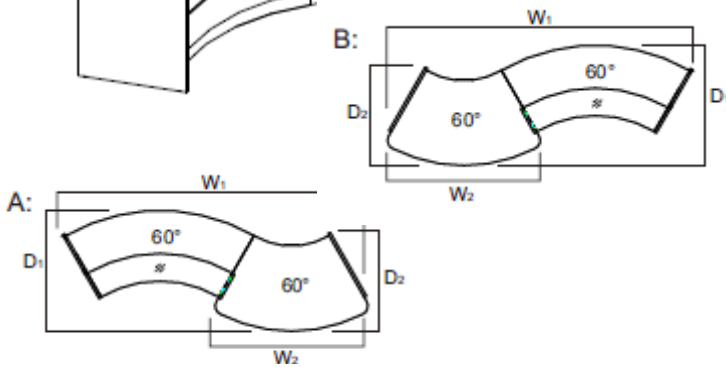
LVC41 2638w x 968/798d x 1200h @ £3058.00
 As above with illumination @ £3478.00
 LVC43 2938w x 968/798d x 1200h @ £3298.00
 As above with illumination @ £3742.00
 LVC45 3638w x 968/798d x 1200h @ £3898.00
 AS above with illumination @ £4378.00



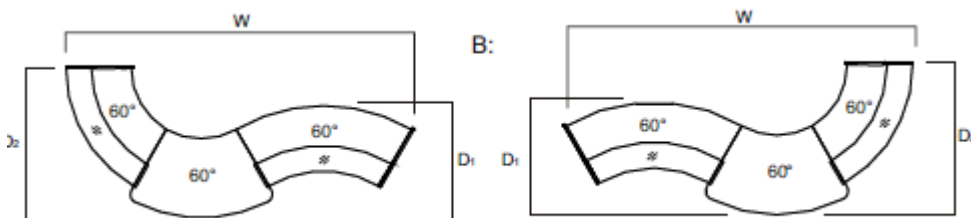
LVC30 2888w x 1380d x 1105h @ £3849.00
As above with illumination @ £4390.00

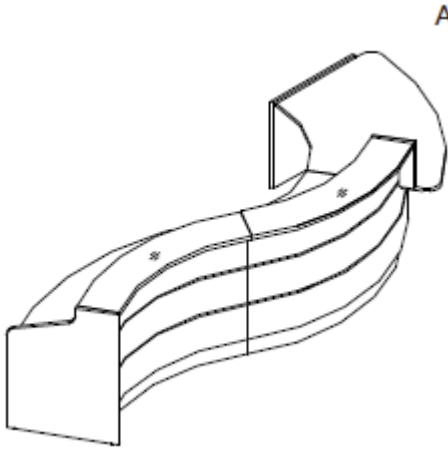


LVC32 3360w x 1675w x 1321d x 1105h @
£3910.00
As above with illumination @ £4449.00

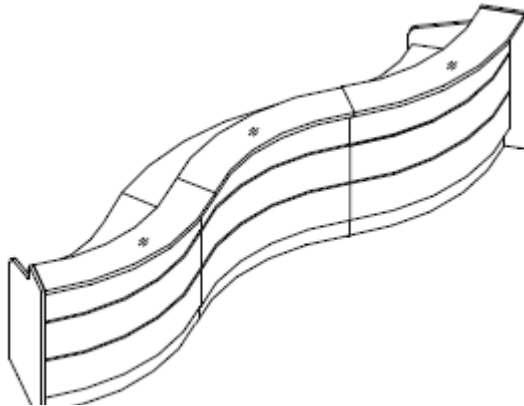
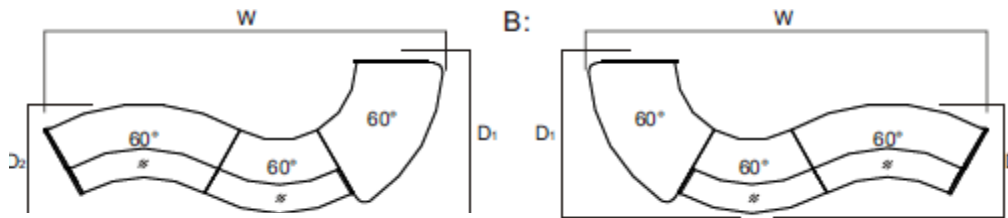


LVC34 4127w x 1321d x 1788d x 1105h @ @
£6128.00
AS above with illumination @ £6994.00

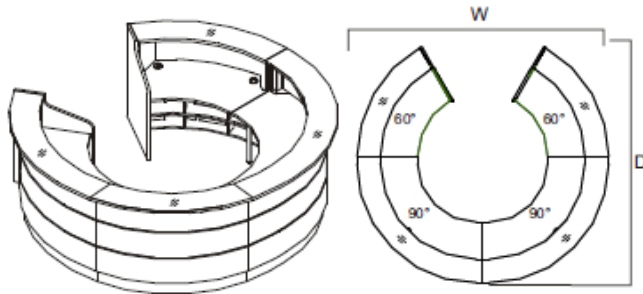
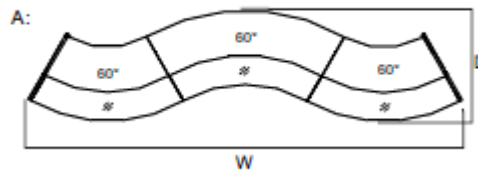




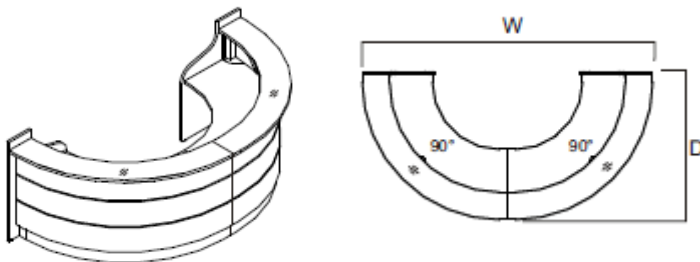
LVC38 4280w x 1627/1611d x 1105h @ £6044.00
 As above with illumination @ £6944.00



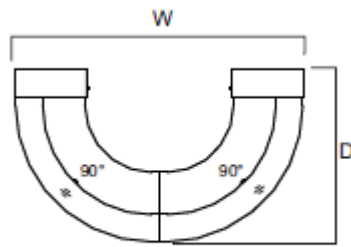
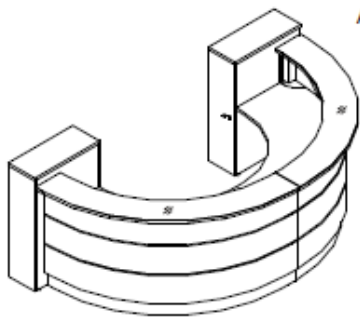
LVC50 4552w x 1161d x 1105h @ £6643.00
 AS above with illumination @ £8196.00



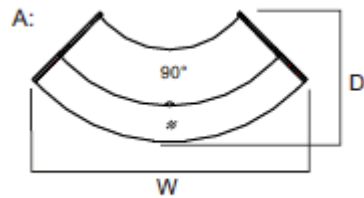
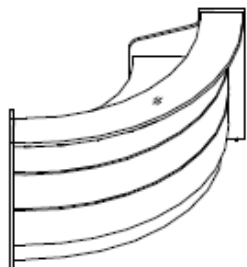
LVC51 3202w x 3004d x 1105h @ £10036.00
 As above with illumination @ £11569.00



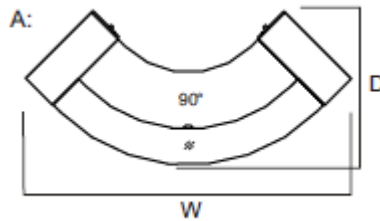
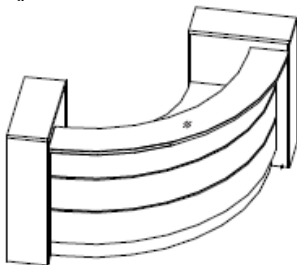
LVC52 3204w x 1629d x 1105h @ £5770.00
 As above with illumination @ £6609.00



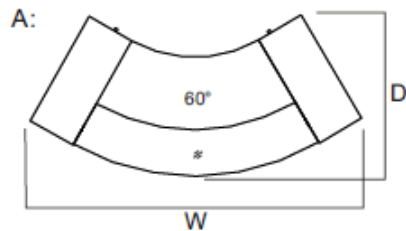
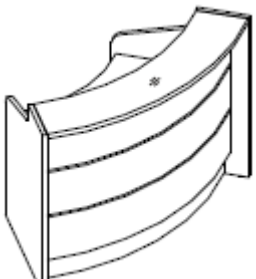
LVC16 3216w x 1921d x 1200h @ £6346.00
As above with illumination @ £7186.00



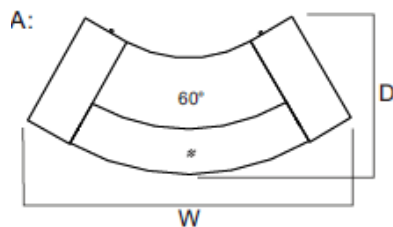
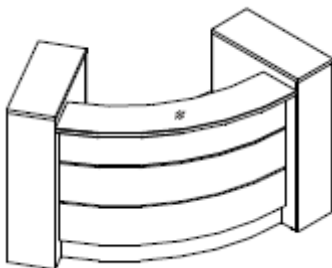
LVC53 2302w x 1090d x 1105h @ £2976.00
As above with illumination @ £3396.00



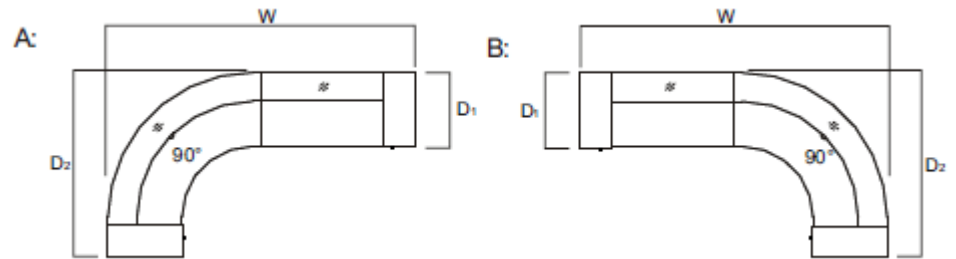
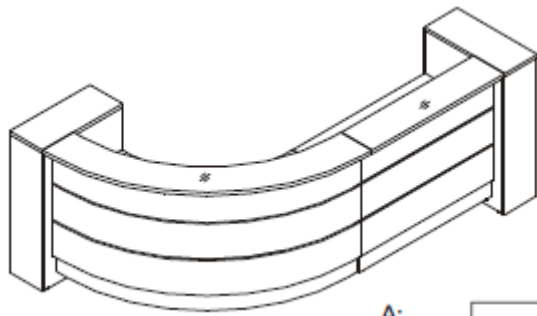
LVC73 2715w x 1280d x 1200h @ £3552.00
As above with illumination @ £3972.00



LVC54 1652w x 919d x 1105h @ £2316.00
As above with illumination @ £2676.00



LVC74 2162w x 1042d x 1200h @ £2892.00
AS above with illumination @ £3252.00



LVC55 3212w 780/1921d x 1200h @ £4905.00

As above with illumination @ £5626.00

LVC57 3512w x 780/1921d x 1200h @ £5146.00

As above with illumination @ £5890.00

LVC59 4213w x 780/1921d x 1200h @ £5746.00

As above with illumination @ £6525.00

All prices exclude VAT and include delivery to mainland UK during normal working hours